

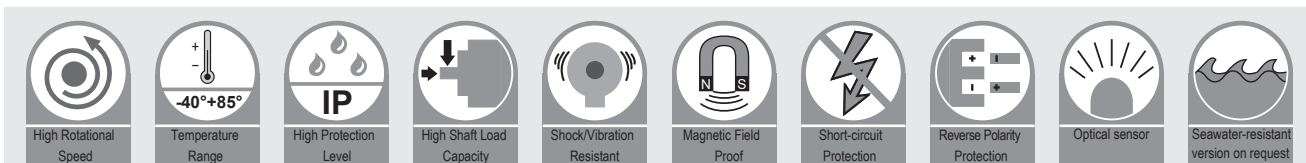
Absolute Encoders — Singleturn

Standard Optical ProfiNET

5E-58SX / 58HX



- Outdiameter 58 mm, standard industrial design
- Optical sensor technology, resolution up to 16 bits
- Wide working temperature range
- Profinet ethernet interface
- Optional working mode: NRT,RT and IRT



Highlight:

- Outdiameter 58 mm, compact and strong structure, Suitable for industrial field and outdoor.
- Temperature -40°C ... +85°C
- High Protection Level up to IP67

- Blind hollow shaft up to 15mm
- Profinet ethernet interface, according to Profinet 4.0/4.1
- With quick connecting M12 terminal box

Mechanical characteristics

Max. Speed	12000 rpm		
Starting torque	≤ 3 Ncm (at 20°C)		
Moment of inertia	≤ 30 gcm ²		
Shaft load capacity	Axial 40 N; Radial 110 N		
Weight	approx. 0.400 kg		
Protection acc. to EN 60 529	IP 65 optional IP 67		
Explosion protection Ex (optional)	Zone 2, 22		
Working temperature range	-40°C ... 85°C		
Materials	Shaft: Stainless steel(V2A) Flange: Aluminium Housing: Steel		
Shock resistance acc. to EN 60068-2-27	≤ 100 g (6 ms)		
Vibration resistance acc. to EN 60068-2-6	≤ 10 g (10 Hz ... 1000Hz)		
Mechanical lifetime (Fa/Fr)	40/60	40/80	40/110
	247	110	42

Electrical characteristics

Power supply	10 ... 30 VDC		
Current consumption	typ. 100 mA, Max.230 mA		
Output driver	Industrial Ethernet protocol		
Start-up time	< 250 ms		
Short circuit protection	yes		
Reverse polarity protection	yes		
UL approval	E468583		
CE compliant acc. to	EN 61000-6-4; EN61326-1		
RoHS compliant acc. to	guideline 2002/95/EG		

Interface characteristics ProfiNET

Interface	ProfiNET		
Output driver	Ethernet		
Baud rate	10 / 100 Mbit		
Interface Cycle Time	> 1 ms		
Code	Binary		
Singleturn resolution	Max. 16 bits		
Protocol	acc. to ProfiNET 4.0/4.1 version NRT, RT and IRT operating mode		
LED indication	Status LEDs and Diagnostic LEDs for indicating the link status and running status, further functions please refer to the manual.		
Electrical lifetime	> 10 ⁵ h		

EX characteristics

Standards	EN 60079-0:2012+A11:2013 EN 60079-7:2015 EN 60079-31:2014		
Type	II 3G Ex ec IIC T6...T4 Gc II 3D Ex tc IIIC T85°C, T100°C, T135°C Dc		

- Profinet protocol acc. to industrial ethernet standard,
 Profinet 4.0/4.1 version functions
 Protocol Features:
- Settable count direction
 - Settable singleturn resolution
 - Settable total resolution
 - Integrated Boot loader for customer firmware upgrades
 - Optional working mode: NRT,RT and IRT
 - Different filters for velocity
 - Neighbouring detection
 - Engineering identification call

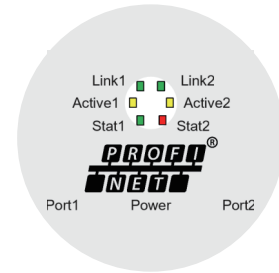
Absolute Encoders — Singleturn

Standard Optical ProfiNET

5E-58SX / 58HX

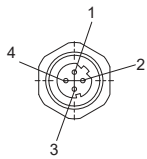
LED Status indication

Encoder has several LEDs for indicating the current working status like the link status, running status, etc. Further information please refer to the manual.



M12 Connector terminal

Port 1, 2



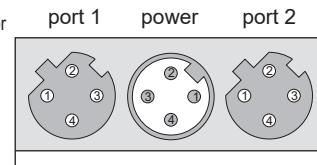
Port	Port 1				Port 2			
	TxD+	RxD+	TxD-	RxD-	TxD+	RxD+	TxD-	RxD
M12 Connector	1	2	3	4	1	2	3	4

Power supply (female)



信号	+V	--	0V	--
针号	1	2	3	4

Top view of connector



Abs. Encoder - ST

Order Code Shaft version	5E-58SX-X X X X-B XX 00 X-XX									
	Type	h	a	b	c	d	e	f	g	i
a Flange 1 = Clamping flange, IP65 2 = Clamping flange, IP67 3 = Synchro flange, IP65 4 = Synchro flange, IP67	c Interface / Power supply 3 = ProfiNET / 10 ... 30 VDC	f Singleturn resolution 13 = 13 bit 16 = 16 bit	h Type N = Industrial type S = Stainless steel type							
b Shaft 2 = $\varnothing 6 \times 10$ mm 5 = $\varnothing 10 \times 20$ mm	d Type of connection 2 = Bus terminal cover, radial 3X M12 connector 6 = Radial cable, 1m	g Function 1 = No additional function	i Certification Type Blank = CE/UL EX = 2/22 Zone *							
	e Code B = Binary									

* If you like EX, Only for cable radial 1m

Order Code Blind hollow version	5E-58HX-X X X X-B XX 00 X-XX									
	Type	h	a	b	c	d	e	f	g	i
a Flange 8 = With D-wing spring coupling, IP65 9 = With D-wing spring coupling, IP67	c Interface / Power supply 3 = ProfiNET / 10 ... 30 VDC	f Singleturn resolution 13 = 13 bit 16 = 16 bit	h Type N = Industrial type S = Stainless steel type							
b Hollow shaft (Blind) 3 = $\varnothing 6$ mm 4 = $\varnothing 8$ mm 5 = $\varnothing 10$ mm 6 = $\varnothing 12$ mm 7 = $\varnothing 14$ mm 8 = $\varnothing 15$ mm	d Type of connection 2 = Bus terminal cover, radial 3X M12 connector 6 = Radial cable, 1m	g Function 1 = No additional function	i Certification Type Blank = CE/UL EX = 2/22 Zone *							
	e Code B = Binary									

* If you like EX, Only for cable radial 1m

Absolute Encoders — Singleturn

Standard Optical ProfiNET

5E-58SX / 58HX

Accessories

Connection technology:

Connector, self-assembly

M12 self-assembly connector (Power supply)

E1-1204-0001

M12 self-assembly connector

E1-1104-0113

Mounting accessory for shaft version:

Coupling

Bellows coupling (aluminium alloy) \varnothing 25mm for shaft 6 mm T1-6000-3025-0606

Bellows coupling (spring steel) \varnothing 25mm for shaft 10 mm T1-2000-5025-1010

Mounting accessory for hollow shaft version:

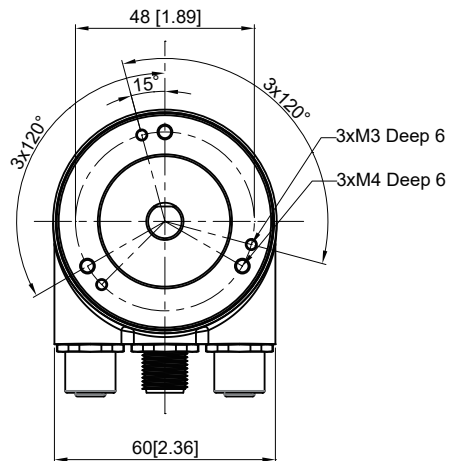
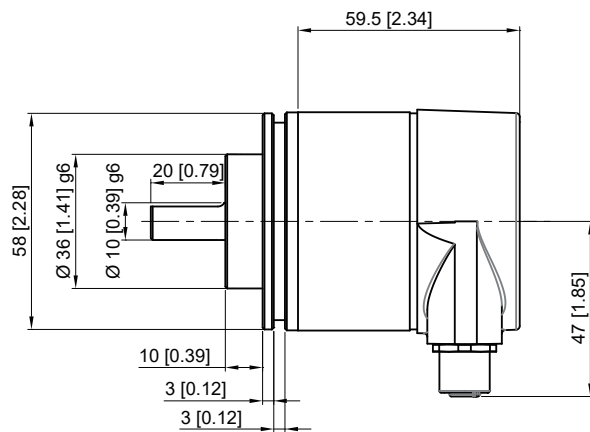
Stator coupling

Further accessories and exact order code please refer to the accessories section.

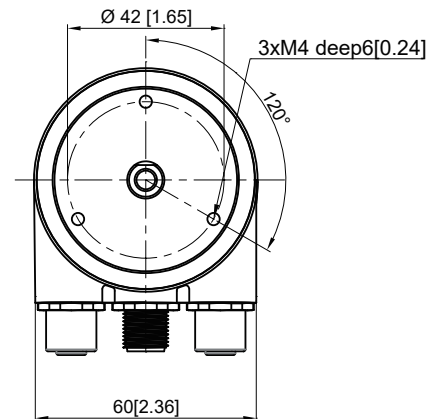
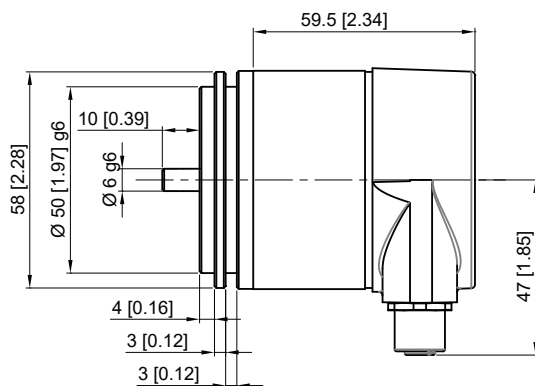
Dimensions

Shaft encoder:

type of flange1 or 2 , type of shaft 5, type of connection 2



type of flange3 or 4 , type of shaft 2, type of connection 2

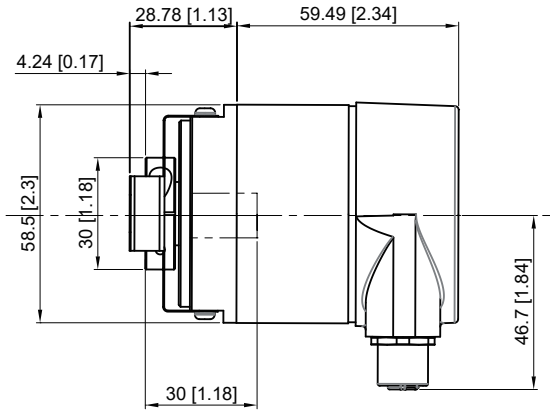


Absolute Encoders — Singleturn

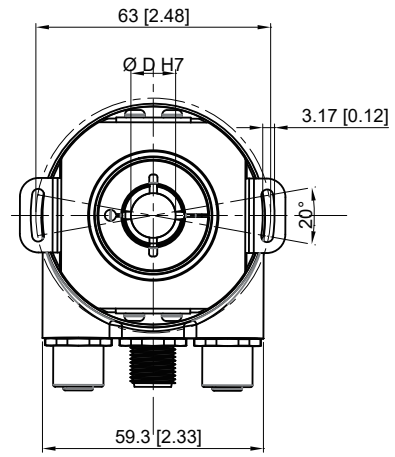
Standard Optical ProfiNET

5E-58SX / 58HX

Hollow encoder:
type of flange 8 or 9 , Blind hollow shaft, type of connection 2



Blind hollow shaft depth 30 mm



Abs. Encoder - ST

Other mounting types and accessories on your request,
please send us an email: sales@heinlanz.com