

Magnetostrictive Linear Position Sensor

Inside cylinder Start/Stop pulse

L5 - AXXXX-14



Profile

- Robust, oil resistance
- Absolute position output, without zero operation
- Contactless sensing with highest durability
- Start / Stop Pulse
- Design of low power consumption, reduce the temperature drift

CE UL RoHS **Start / Stop**

Features

- Status LEDs for indicating operating status and diagnostics
- Modular design, easy repairing
- Linearity deviation $< \pm 0.01\%$ rated length
- Repeatability $< \pm 0.001\%$ rated length

Parameter of measurement	
Measuring Length	25~7600mm
Output	Start / Stop Pulsel
Resolution	0.1 mm / 0.01 mm / 0.005 mm (Depend on controller)
Linearity	$< \pm 0.01\%$ F.S. (Min. $\pm 50\mu\text{m}$)
Repeatability	$< \pm 0.001\%$ F.S.
Update time	Depend on Measuring range

Design & Material	
Sensor head	Aluminium alloy
Protective rod	304LStainless
Mounting flange	304LStainless

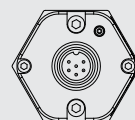
Installation & Accessories	
Installation direction	Any orientation
Installation	Threaded flange M18 \times 1.5 or on demand
Magnet	L5-0000-ACRI-0001, Not included in delivery
Antimagnetical Spacer	5-0000-ACMT-0001, Not included in delivery
Connector	E1-2206-0100, Not included in delivery

Electrical characteristics	
Connection	Cable or M16,6 pinsConnector
Voltage	24VDC (-15% / +20%)
Current	$< 50\text{mA}$ (Depend Measuring range)
Polarity protection*	Max.-30VDC
Overvoltage protection*	Max. 36VDC
Electric strength	500V (DC ground to machine ground)
Error indicator	Red and Green LED indicator

* Max. 5mins

Operation condition	
Magnet speed	Any
Operating temperature	$-40^{\circ}\text{C} \sim +85^{\circ}\text{C}$
Humidity/Dew point	R.H.90%, No Condensation
Temperature coefficient	$< 30\text{ppm}/^{\circ}\text{C}$
Protection Level	IP67
Pressure rating	35MPa (Continuously) / 70MPa (Peak value)

Sensor diagnostic display

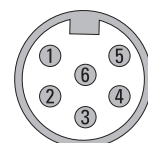


Indicator	Description
Green ON	Normal function
Green Flash	Programming mode
Red Flash	Communication error
Red ON	Magnet not detected or damaged magnet

Wiring

Signal	Ub	GND	Start (+)	Start (-)	Stop (+)	Stop (-)
Cable(color)	Brown	White	Yellow	Green	Pink	Gray
M16, 6 pin Connector	5	6	3	4	2	1

M16, 6 pinsPin top view (sensor)

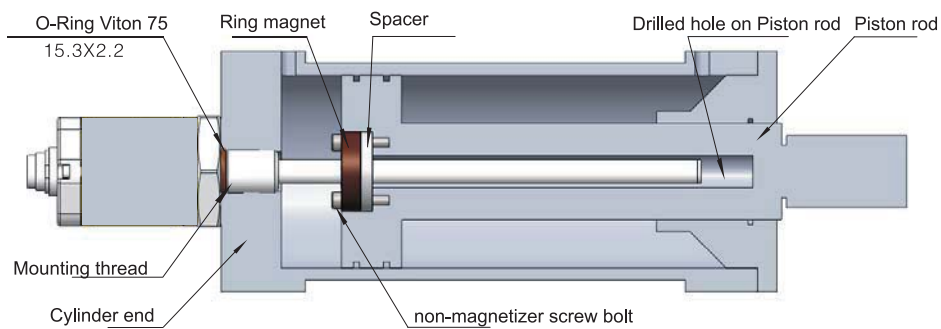


Magnetostrictive Linear Position Sensor

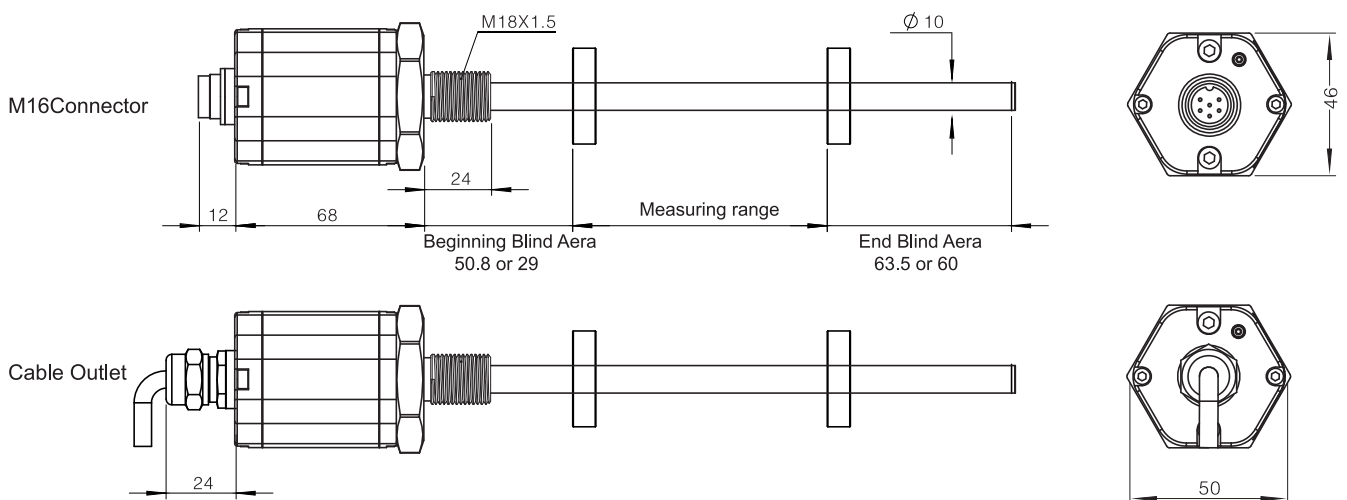
Inside cylinder Start/Stop pulse **L5 - AXXXX-14**

Ordering example Inside Cylinder	L5 - A 0 1 0 0 - 1 4 1 5 - STSP 0 P - X						
	Serise	a	b	c	d	e	f
a Measuring range 0100 = 100 mm Max.7600 mm in 5-mm increments	c Operation Voltage 1 = 24 VDC	e Output STSP = Start / Stop Pulse Signal					
b Output 14 = Start / StopOutput	d wiring 5 = M16, 6 pinsConnector PXX = Standard cable outlet, XX meters TXX = High temperature cable outlet, XX meters	f Blind Aera (Bigning+End) S = 50.8 + 63.5 (mm) B = 29 + 60 (mm)					

Installation



Dimensions



Note: L5 Serise product compression rod can be conveniently separated with the electronic head (two M4 x 59 screw), in does not leak under pressure to achieve rapid replacement, the pressure rod can become cylinder permanent sections.